

# CX010

## Mini Hand Chain Hoist

### Compact, Lightweight and Powerful

Harrington's CX010 Mini Hand Chain Hoist is compact, lightweight and easy to use, making it the ideal hoist to use in high or difficult-to-reach places. This model includes a Twist Detector that visually identifies if the bottom hook has been capsized, which alerts users to correct the resulting twisted chain before use. Harrington also offers a CX mini hoist in 1/4 and 1/2 Ton capacities for lifting lighter loads.



MODEL: CX010

### Easy To Use

- Extremely lightweight and compact
- Effortless to transport, install and store
- Low force is needed to lift loads
- Perfect size for a toolbox or tool belt
- 10' and 20' standard lift

### Dependability

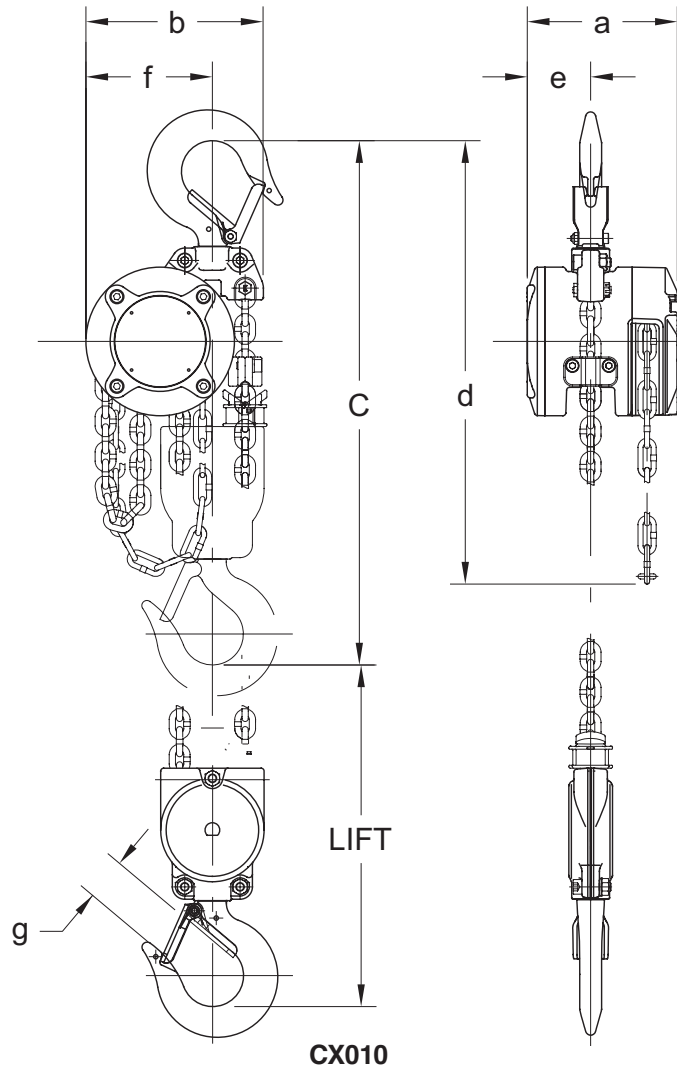
- Aluminum body with steel frame provides superior strength
- Metal chain guide for durability and smooth operation
- Load limiter prevents the hoist from being used to lift damaging loads over rated capacity
- Twist Detector identifies if chain has been twisted
- Grade 100 nickel-plated load chain
- Strong hook latch with safety tip design

### Applications

- Plumbing and heating
- Motor and pump installation
- Car or tractor maintenance
- General maintenance

**CX010 MINI HAND CHAIN HOIST — SPECIFICATIONS & DIMENSIONS**

Cap. (Tons)	Product Code	Headroom C (in)	Std. Lift (ft)	Pull to Lift Load (lbs)	Overhaul Ratio	a (in)	b (in)	d (ft)	e (in)	f (in)	g (in)	Load Chain Diameter (mm) x Chain Fall Lines	Net Weight (lbs)	Approx. Shipping Weight (lbs)	Weight for Additional One Foot of Lift (lbs)
1/4	CX003	8.5	10	33	34	3.5	3.3	6.8	1.5	2.1	0.8	3.2 x 1	7	7	0.3
1/4	CX003	8.5	20	33	34	3.5	3.3	16.6	1.5	2.1	0.8	3.2 x 1	9	9	0.3
1/2	CX005	10.2	10	42	43	4.0	4.0	6.8	1.7	2.6	1.0	4.3 x 1	10	10.6	0.6
1/2	CX005	10.2	20	42	43	4.0	4.0	16.6	1.7	2.6	1.0	4.3 x 1	16	16.4	0.6
1	CX010	14.1	10	44	86	4.1	4.8	6.8	1.7	3.4	1.1	4.3 x 2	17	17.4	3.1
1	CX010	14.1	20	44	86	4.1	4.8	16.6	1.7	3.4	1.1	4.3 x 2	26	26.7	3.1



Harrington Hoists, Inc.  
401 West End Avenue  
Manheim, PA 17545



Toll Free: 800-233-3010  
Phone: 717-665-2000  
Fax: 717-665-2861

[www.harringtonhoists.com](http://www.harringtonhoists.com)