

FSV / FSVS / FSVSU

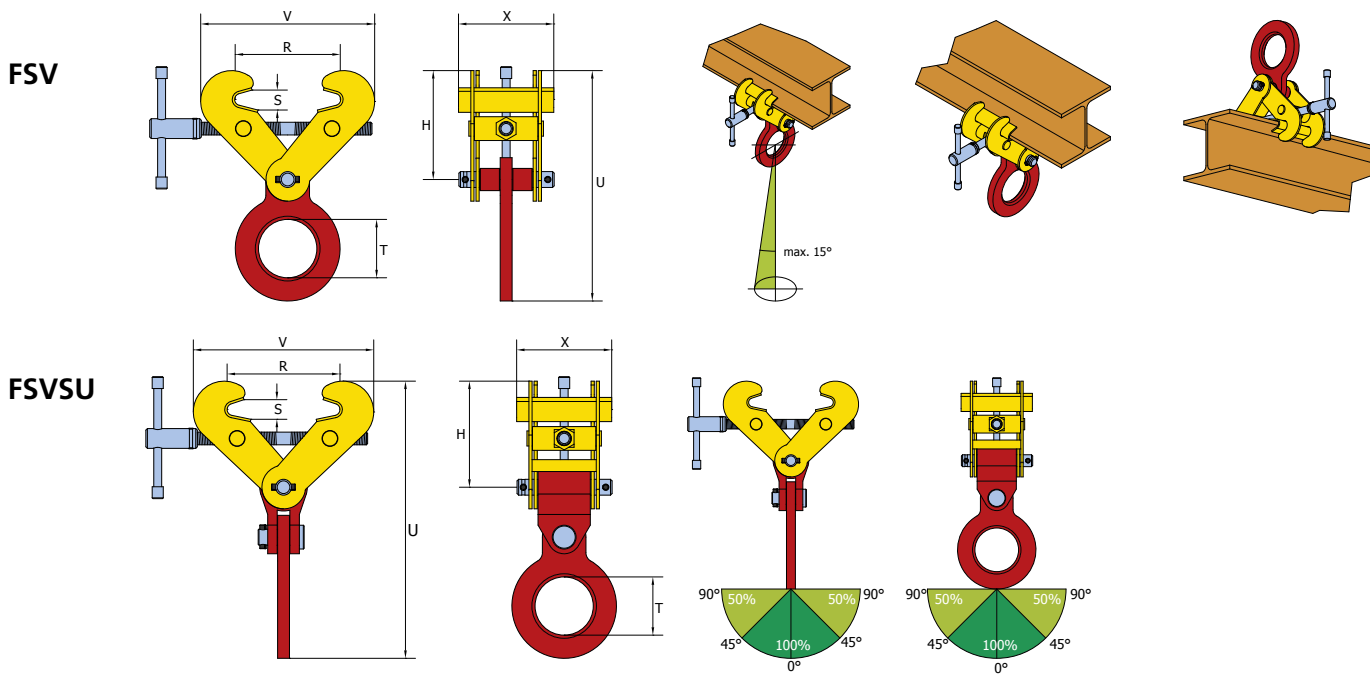
Multi purpose beam screw clamp

Application:

- For horizontal lifting and transportation of steel (H) beams, profiles and structures
- Can be used as upside down attached (temporary) lifting point
- FSV Jaw openings available from: 75 to 450 mm
- FSVS / FSVSU types are supplied with enlarged jaw opening: 75 to 560 mm
- FSV Working load limit (WLL) 1000 - 10000kg. (Higher WLL available upon request)
- FSVS / FSVSU Working load limit (WLL) up to 5000kg

Features and Benefits:

- Special design makes it possible to lift steel (H) beams and structures
- Equal opening and closing of both jaws for simple and quick assembly
- Welded jaw plates for better positioning and less damaging of load
- FSVSU types are supplied with reinforced body and articulated lifting shackle
- Lightweight, maintenance-friendly, heavy duty body



| Article Nr. | Type | Capacity (kg/pc) | Jaw opening (R) (mm) | Dimensions in mm | | | | | | Weight (kg/pc) |
|-------------|---------|------------------|----------------------|------------------|------|-------|-------|---------|-----|----------------|
| | | | | S | T | V-max | U-max | H | X | |
| 851400 | 1 FSV | 1000 | 75 - 190 | 30 | 73,5 | 357 | 345 | 113-192 | 120 | 5 |
| 851500 | 2 FSV | 2000 | 75 - 190 | 30 | 73,5 | 357 | 345 | 113-192 | 120 | 5 |
| 851600 | 3 FSV | 3000 | 75 - 190 | 30 | 73,5 | 357 | 345 | 113-192 | 120 | 5 |
| 851700 | 4 FSV | 4000 | 150 - 300 | 40 | 80 | 450 | 422 | 185-240 | 180 | 15 |
| 851800 | 5 FSV | 5000 | 150 - 300 | 40 | 80 | 450 | 422 | 185-240 | 180 | 15 |
| 851110 | 10 FSV | 10000 | 350 - 450 | 95 | 88 | 695 | 653 | 400-447 | 200 | 50 |
| 962000 | 2 FSVS | 2000 | 75 - 420 | 30 | 73,5 | 540 | 428 | 114-275 | 120 | 7 |
| 963000 | 3 FSVS | 3000 | 75 - 420 | 30 | 73,5 | 540 | 428 | 114-275 | 120 | 7 |
| 964000 | 4 FSVS | 4000 | 150 - 560 | 40 | 80 | 708 | 545 | 173-362 | 180 | 18 |
| 965000 | 5 FSVS | 5000 | 150 - 560 | 40 | 80 | 708 | 545 | 173-362 | 180 | 19,5 |
| 956300 | 3 FSVSU | 3000 | 75 - 420 | 30 | 73,5 | 540 | 486 | 114-275 | 120 | 8 |
| 956400 | 4 FSVSU | 4000 | 150 - 560 | 40 | 80 | 708 | 613 | 173-362 | 180 | 21 |
| 956500 | 5 FSVSU | 5000 | 150 - 560 | 40 | 80 | 708 | 622 | 173-362 | 180 | 22 |

Specifications are subject to change