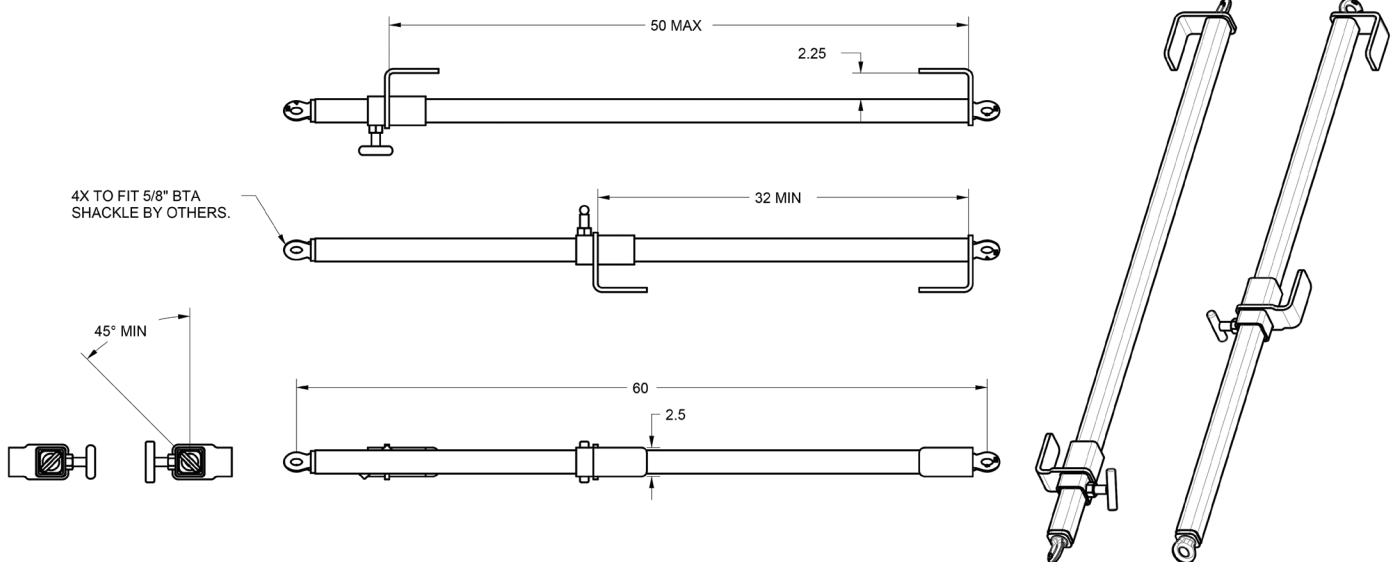


PALLET LIFTING BARS

PALLET LIFTING BARS - SOLD IN PAIRS

- Manufactured to exceed all ASME B30.20 and OSHA regulations.
- Painted safety yellow for increased visibility.
- **ALL** material handling equipment proof loaded and shipped with certification paperwork.
- Durable construction ideally suited to jobsite or warehouse use.
- Made in U.S.A.
- Converts crane or hoist into aerial forklift.

Prop 65 – See Page 102



PART NUMBER: 17449

- Converts crane or hoist into aerial forklift.
- 4,000 LB Working Load limit capacity is Per Pair

