



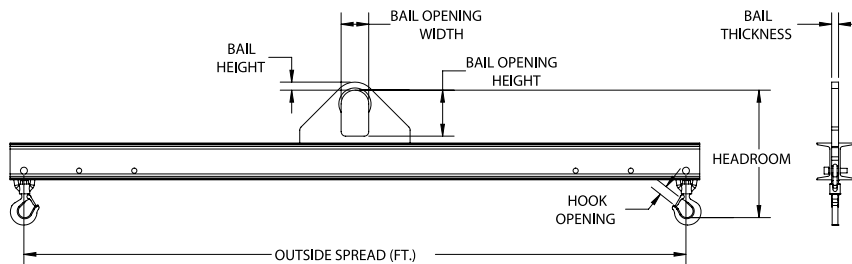
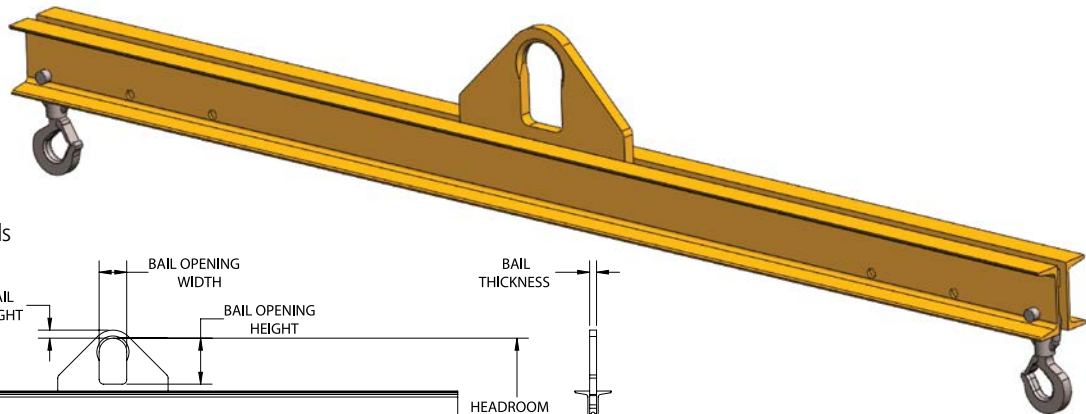
HSDLB STANDARD DUTY LIFTING BEAM CHANNEL DESIGN

FEATURES

- This style of lifting beam can be utilized where headroom is limited and comes with a pair of swivel hooks and three standard spreads (3' and 4' beams have two standard spreads).
- Three standard lift points for load adjustment: outside lift point, middle lift point (outside less 1'), inside lift point (middle less 1').
- Engineered and manufactured to ASME B30.20 & BTH-1 Design Category B Service Class 2.
- 100% of ALL lifting beams are Proof-Tested to 125% capacity and certificates supplied at No Additional Charge.
- Made in USA.

OPTIONS

- Additional lift points
- Higher capacities
- Additional lengths
- Low headroom bail
- Additional hooks
- Shackle lugs
- Faspins
- Integrated beam stands



Model #	Capacity (US Tons)*	Outside Spread (Ft.)	Dimensions (Inches)						Weight (Lbs.)
			Headroom	Bail Height	Bail Opening Width	Bail Opening Height	Bail Thickness	Hook Opening	
HSDLB-1/2-3	1/2	3	13	0.88	3	5	0.75	0.91	40
HSDLB-1/2-4	1/2	4	13	0.88	3	5	0.75	0.91	50
HSDLB-1/2-6	1/2	6	13	0.88	3	5	0.75	0.91	65
HSDLB-1/2-8	1/2	8	13	0.88	3	5	0.75	0.91	80
HSDLB-1/2-10	1/2	10	14	0.88	3	5	0.75	0.91	125
HSDLB-1/2-12	1/2	12	14	0.88	3	5	0.75	0.91	145
HSDLB-1/2-14	1/2	14	15	0.88	3	5	0.75	0.91	210
HSDLB-1/2-16	1/2	16	16	0.88	3	5	0.75	0.91	360
HSDLB-1/2-18	1/2	18	17	0.88	3	5	0.75	0.91	465
HSDLB-1/2-20	1/2	20	18	0.88	3	5	0.75	0.91	490
HSDLB-1/2-24	1/2	24	20	0.88	3	5	0.75	0.91	765
HSDLB-1/2-30	1/2	30	22	0.88	3	5	0.75	0.91	1280
HSDLB-1-3	1	3	13	0.88	3	5	0.75	0.91	40
HSDLB-1-4	1	4	13	0.88	3	5	0.75	0.91	50
HSDLB-1-6	1	6	14	0.88	3	5	0.75	0.91	80
HSDLB-1-8	1	8	14	0.88	3	5	0.75	0.91	105
HSDLB-1-10	1	10	15	0.88	3	5	0.75	0.91	150
HSDLB-1-12	1	12	16	0.88	3	5	0.75	0.91	275
HSDLB-1-14	1	14	17	0.88	3	5	0.75	0.91	365
HSDLB-1-16	1	16	18	0.88	3	5	0.75	0.91	390
HSDLB-1-18	1	18	19	0.88	3	5	0.75	0.91	505
HSDLB-1-20	1	20	20	0.88	3	5	0.75	0.91	640
HSDLB-1-24	1	24	22	0.88	3	5	0.75	0.91	1025

*1 US Ton = 2,000 lbs.

cont.



STANDARD DUTY LIFTING BEAM - CHANNEL DESIGN cont.

Model #	Capacity (US Tons)*	Outside Spread (Ft.)	Dimensions (Inches)						Weight (Lbs.)
			Headroom	Bail Height	Bail Opening Width	Bail Opening Height	Bail Thickness	Hook Opening	
HSDLB-2-3	2	3	13	0.88	3	5	0.75	0.91	40
HSDLB-2-4	2	4	14	0.88	3	5	0.75	0.91	60
HSDLB-2-6	2	6	15	0.88	3	5	0.75	0.91	95
HSDLB-2-8	2	8	16	0.88	3	5	0.75	0.91	150
HSDLB-2-10	2	10	17	0.88	3	5	0.75	0.91	265
HSDLB-2-12	2	12	18	0.88	3	5	0.75	0.91	295
HSDLB-2-14	2	14	19	0.88	3	5	0.75	0.91	400
HSDLB-2-16	2	16	22	0.88	3	5	0.75	1.00	690
HSDLB-2-18	2	18	22	0.88	3	5	0.75	1.00	775
HSDLB-2-20	2	20	22	0.88	3	5	0.75	1.00	860
HSDLB-2-24	2	24	25	0.88	3	5	0.75	1.00	1665
HSDLB-3-3	3	3	14	1.25	3	5	1	1	55
HSDLB-3-4	3	4	15	1.25	3	5	1	1	80
HSDLB-3-6	3	6	16	1.25	3	5	1	1	155
HSDLB-3-8	3	8	17	1.25	3	5	1	1	225
HSDLB-3-10	3	10	18	1.25	3	5	1	1	260
HSDLB-3-12	3	12	20	1.25	3	5	1	1	400
HSDLB-3-14	3	14	22	1.25	3	5	1	1	620
HSDLB-3-16	3	16	22	1.25	3	5	1	1	705
HSDLB-3-18	3	18	26	1.25	3	5	1	1.36	1280
HSDLB-3-20	3	20	26	1.25	3	5	1	1.36	1420
HSDLB-3-24	3	24	26	1.25	3	5	1	1.36	1690
HSDLB-5-3	5	3	18	2	4	7	1.25	1.36	100
HSDLB-5-4	5	4	19	2	4	7	1.25	1.36	145
HSDLB-5-6	5	6	20	2	4	7	1.25	1.36	210
HSDLB-5-8	5	8	22	2	4	7	1.25	1.36	280
HSDLB-5-10	5	10	24	2	4	7	1.25	1.36	380
HSDLB-5-12	5	12	25	2	4	7	1.25	1.36	570
HSDLB-5-14	5	14	30	2	4	7	1.25	1.61	1045
HSDLB-5-16	5	16	30	2	4	7	1.25	1.61	1185
HSDLB-5-18	5	18	30	2	4	7	1.25	1.61	1325
HSDLB-5-20	5	20	30	2	4	7	1.25	1.61	1470
HSDLB-5-24	5	24	33	2	4	7	1.25	1.61	2320
HSDLB-7.5-3	7.5	3	21	2	4	7	1.25	1.61	130
HSDLB-7.5-4	7.5	4	22	2	4	7	1.25	1.61	170
HSDLB-7.5-6	7.5	6	24	2	4	7	1.25	1.61	235
HSDLB-7.5-8	7.5	8	25	2	4	7	1.25	1.61	320
HSDLB-7.5-10	7.5	10	27	2	4	7	1.25	1.61	495
HSDLB-7.5-12	7.5	12	30	2	4	7	1.25	1.61	900
HSDLB-7.5-14	7.5	14	30	2	4	7	1.25	1.61	1050
HSDLB-7.5-16	7.5	16	30	2	4	7	1.25	1.61	1190
HSDLB-7.5-18	7.5	18	33	2	4	7	1.25	1.61	1640
HSDLB-10-3	10	3	22	2	4	7	1.25	1.61	145
HSDLB-10-4	10	4	23	2	4	7	1.25	1.61	165
HSDLB-10-6	10	6	25	2	4	7	1.25	1.61	260
HSDLB-10-8	10	8	27	2	4	7	1.25	1.61	410
HSDLB-10-10	10	10	30	2	4	7	1.25	1.61	770
HSDLB-10-12	10	12	30	2	4	7	1.25	1.61	910
HSDLB-10-14	10	14	30	2	4	7	1.25	1.61	1055
HSDLB-10-16	10	16	33	2	4	7	1.25	1.61	1475
HSDLB-10-18	10	18	33	2	4	7	1.25	1.61	1985

*1 US Ton = 2,000 lbs.

cont.



DO NOT EXCEED CAPACITY!
See the SAFETY GUIDELINES section before using these products. Pages 92-95.



HSDLB

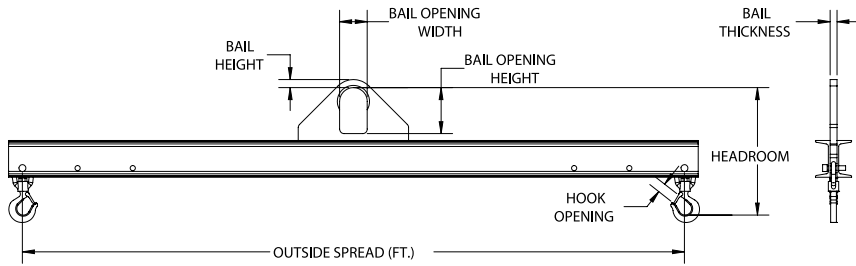
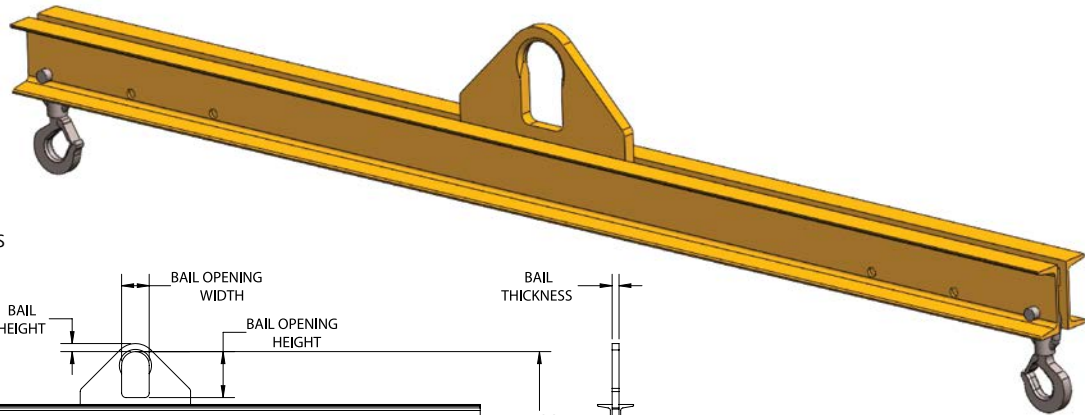
STANDARD DUTY LIFTING BEAM cont. CHANNEL DESIGN

FEATURES

- This style of lifting beam can be utilized where headroom is limited and comes with a pair of swivel hooks and three standard spreads (3' and 4' beams have two standard spreads).
- Three standard lift points for load adjustment: outside lift point, middle lift point (outside less 1'), inside lift point (middle less 1').
- Engineered and manufactured to ASME B30.20 & BTH-1 Design Category B Service Class 2.
- 100% of ALL lifting beams are Proof-Tested to 125% capacity and certificates supplied at No Additional Charge.
- Made in USA.

OPTIONS

- Additional lift points
- Higher capacities
- Additional lengths
- Low headroom bail
- Additional hooks
- Shackle lugs
- Faspins
- Integrated beam stands



Model #	Capacity (US Tons)*	Outside Spread (Ft.)	Dimensions (Inches)						Weight (Lbs.)
			Headroom	Bail Height	Bail Opening Width	Bail Opening Height	Bail Thickness	Hook Opening	
HSDLB-15-3	15	3	26	2.5	5	9	1.5	2.08	190
HSDLB-15-4	15	4	28	2.5	5	9	1.5	2.08	255
HSDLB-15-6	15	6	30	2.5	5	9	1.5	2.08	385
HSDLB-15-8	15	8	33	2.5	5	9	1.5	2.08	700
HSDLB-15-10	15	10	33	2.5	5	9	1.5	2.08	835
HSDLB-15-12	15	12	37	2.5	5	9	1.5	2.08	1195
HSDLB-15-14	15	14	37	2.5	5	9	1.5	2.08	1460
HSDLB-20-3	20	3	29	2.5	5	9	1.5	2.27	235
HSDLB-20-4	20	4	31	2.5	5	9	1.5	2.27	320
HSDLB-20-6	20	6	34	2.5	5	9	1.5	2.27	575
HSDLB-20-8	20	8	34	2.5	5	9	1.5	2.27	710
HSDLB-20-10	20	10	35	2.5	5	9	1.5	2.27	840
HSDLB-20-12	20	12	38	2.5	5	9	1.5	2.27	1585
HSDLB-25-4	25	4	38	3	6	12	1.75	3.02	415
HSDLB-25-6	25	6	41	3	6	12	1.75	3.02	680
HSDLB-25-8	25	8	41	3	6	12	1.75	3.02	815
HSDLB-25-10	25	10	44	3	6	12	1.75	3.02	1462
HSDLB-25-12	25	12	44	3	6	12	1.75	3.02	1700
HSDLB-30-4	30	4	45	3.5	7	16	2	3.02	655
HSDLB-30-6	30	6	45	3.5	7	16	2	3.02	790
HSDLB-30-8	30	8	48	3.5	7	16	2	3.02	1330
HSDLB-40-4	40	4	45	3.5	7	16	2.5	3.02	745
HSDLB-40-6	40	6	48	3.5	7	16	2.5	3.02	1185

*1 US Ton = 2,000 lbs.



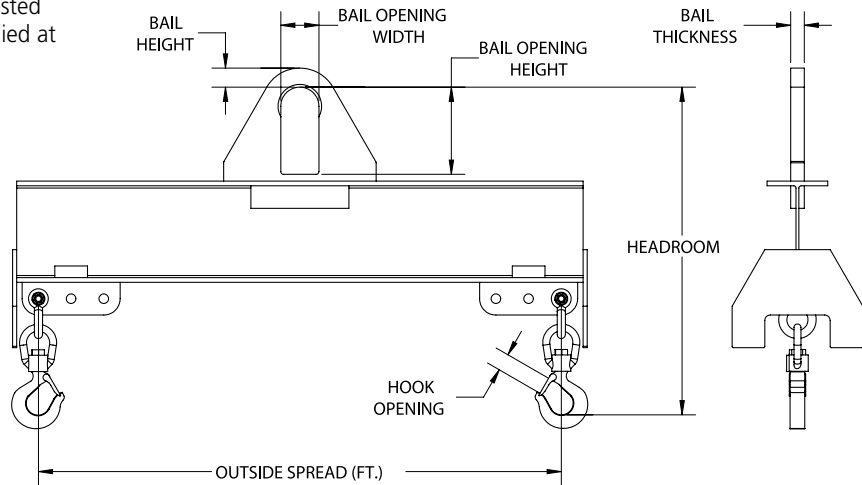
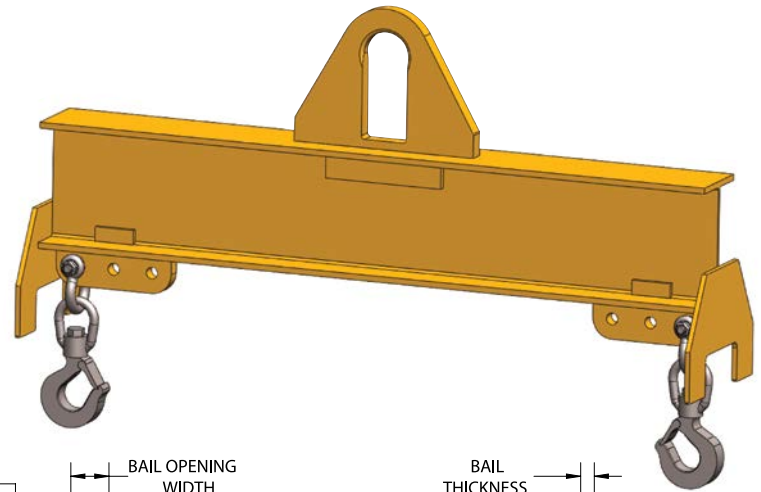
HSDLB STANDARD DUTY LIFTING BEAM I-BEAM DESIGN w/FLAME CUT BAIL

FEATURES

- This style of lifting beam can be utilized where headroom is limited and comes with a pair of shackles & swivel hooks with three standard spreads.
- Standard I-Beam construction with integrated beam stands.
- Three standard lift points for load adjustment: outside lift point, middle lift point (outside less 1'), inside lift point (middle less 1').
- Engineered and manufactured to ASME B30.20 & BTH-1 Design Category B Service Class 2.
- 100% of ALL lifting beams are Proof Tested to 125% capacity and certificates supplied at No Additional Charge.
- Made in USA.

OPTIONS

- Additional lift points
- Higher capacities
- Additional lengths
- Low headroom bail
- Additional hooks & shackles.



Model #	Capacity (US Tons)*	Outside Spread (Ft.)	Dimensions (Inches)						Weight (Lbs.)
			Headroom	Bail Height	Bail Opening Width	Bail Opening Height	Bail Thickness	Hook Opening	
HSDLB-1-30	1	30	26	0.88	3	5	0.75	0.89	1575
HSDLB-1-34	1	34	24	0.88	3	5	0.75	0.89	1685
HSDLB-1-38	1	38	24	0.88	3	5	0.75	0.89	2225
HSDLB-1-42	1	42	26	0.88	3	5	0.75	0.89	2950
HSDLB-2-30	2	30	26	0.88	3	5	0.75	0.89	1680
HSDLB-2-34	2	34	24	1.50	3	5	1	0.89	2240
HSDLB-2-38	2	38	25	1.50	3	5	1	0.89	2820
HSDLB-2-42	2	42	27	1.50	3	5	1	0.89	3580
HSDLB-3-30	3	30	28	1.25	3	5	1	1	1995
HSDLB-3-34	3	34	27	1.5	3	5	1	1	2175
HSDLB-3-38	3	38	28	1.5	3	5	1	1	3270
HSDLB-3-42	3	42	29	1.5	3	5	1	1	4085
HSDLB-5-30	5	30	30	2	4	7	1.25	1.36	2430
HSDLB-5-34	5	34	32	2	4	7	1.25	1.36	3290
HSDLB-5-38	5	38	34	2	4	7	1.25	1.36	4150
HSDLB-5-42	5	42	34	2	4	7	1.25	1.36	5000
HSDLB-7.5-20	7.5	20	33	2	4	7	1.25	1.61	1390
HSDLB-7.5-24	7.5	24	33	2	4	7	1.25	1.61	1985
HSDLB-7.5-30	7.5	30	33	2	4	7	1.25	1.61	2900
HSDLB-7.5-34	7.5	34	37	2	4	7	1.25	1.61	3740
HSDLB-7.5-38	7.5	38	37	2	4	7	1.25	1.61	5000
HSDLB-7.5-42	7.5	42	37	2	4	7	1.25	1.61	6020

*1 US Ton = 2,000 lbs.

cont.

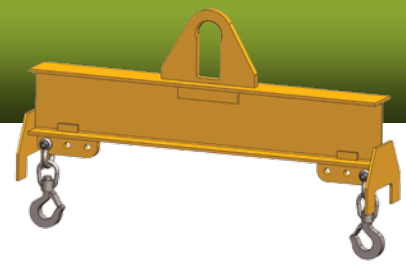


DO NOT EXCEED CAPACITY!
See the SAFETY GUIDELINES section before using these products. Pages 92-95.

HSDLB

STANDARD DUTY LIFTING BEAM

I-BEAM DESIGN w/FLAME CUT BAIL cont.



Model #	Capacity (US Tons)*	Outside Spread (Ft.)	Dimensions (Inches)						Weight (Lbs.)
			Headroom	Bail Height	Bail Opening Width	Bail Opening Height	Bail Thickness	Hook Opening	
HSDLB-10-20	10	20	34	2	4	7	1.25	1.61	1540
HSDLB-10-24	10	24	34	2	4	7	1.25	1.61	2180
HSDLB-10-30	10	30	36	2	4	7	1.25	1.61	3310
HSDLB-10-34	10	34	38	2	4	7	1.25	1.61	4515
HSDLB-10-38	10	38	38	2	4	7	1.25	1.61	5495
HSDLB-10-42	10	42	39	2	4	7	1.25	1.61	7260
HSDLB-15-16	15	16	39	2.5	5	9	1.5	2.08	1430
HSDLB-15-18	15	18	40	2.5	5	9	1.5	2.08	1690
HSDLB-15-20	15	20	40	2.5	5	9	1.5	2.08	2015
HSDLB-15-24	15	24	41	2.5	5	9	1.5	2.08	2825
HSDLB-15-30	15	30	40	2.5	5	9	1.5	2.08	4470
HSDLB-15-34	15	34	42	2.5	5	9	1.5	2.08	5400
HSDLB-15-38	15	38	43	2.5	5	9	1.5	2.08	6655
HSDLB-15-42	15	42	43	2.5	5	9	1.5	2.08	8840
HSDLB-20-14	20	14	43	2.5	5	9	1.5	2.27	1270
HSDLB-20-16	20	16	44	2.5	5	9	1.5	2.27	1590
HSDLB-20-18	20	18	44	2.5	5	9	1.5	2.27	1980
HSDLB-20-20	20	20	46	2.5	5	9	1.5	2.27	2340
HSDLB-20-24	20	24	46	2.5	5	9	1.5	2.27	3315
HSDLB-20-30	20	30	47	2.5	5	9	1.5	2.27	5295
HSDLB-20-34	20	34	49	2.75	5	9	1.5	2.27	6565
HSDLB-20-38	20	38	55	2.75	5	9	1.5	2.27	8580
HSDLB-20-42	20	42	56	2.75	5	9	1.5	2.27	10430
HSDLB-25-14	25	14	52	3	6	12	1.75	2.27	1620
HSDLB-25-16	25	16	52	3	6	12	1.75	2.27	1995
HSDLB-25-18	25	18	54	3	6	12	1.75	2.27	2345
HSDLB-25-20	25	20	57	3	6	12	1.75	2.27	2865
HSDLB-25-24	25	24	57	3	6	12	1.75	2.27	3870
HSDLB-25-30	25	30	58	3	6	12	1.75	2.27	5810
HSDLB-25-34	25	34	64	3	6	12	1.75	2.27	7800
HSDLB-25-38	25	38	65	3	6	12	1.75	2.27	9555
HSDLB-25-42	25	42	67	3	6	12	1.75	2.27	11800
HSDLB-30-10	30	10	52	3.5	7	16	2	2.27	1210
HSDLB-30-12	30	12	54	3.5	7	16	2	2.27	1465
HSDLB-30-14	30	14	54	3.5	7	16	2	2.27	1780
HSDLB-30-16	30	16	54	3.5	7	16	2	2.27	2155
HSDLB-30-18	30	18	59	3.5	7	16	2	2.27	2500
HSDLB-30-20	30	20	59	3.5	7	16	2	2.27	2995
HSDLB-30-24	30	24	60	3.5	7	16	2	2.27	4240
HSDLB-30-30	30	30	65	3.5	7	16	2	2.27	6015
HSDLB-30-34	30	34	72	3.5	7	16	2	2.27	8330
HSDLB-30-38	30	38	70	3.5	7	16	2	2.27	10605
HSDLB-30-42	30	42	70	3.5	7	16	2	2.27	12915
HSDLB-40-8	40	8	62	3.5	7	16	2.5	3.02	1260
HSDLB-40-10	40	10	63	3.5	7	16	2.5	3.02	1630
HSDLB-40-12	40	12	63	3.5	7	16	2.5	3.02	1935
HSDLB-40-14	40	14	63	3.5	7	16	2.5	3.02	2335
HSDLB-40-16	40	16	65	3.5	7	16	2.5	3.02	2520
HSDLB-40-18	40	18	66	3.5	7	16	2.5	3.02	3255
HSDLB-40-20	40	20	68	3.5	7	16	2.5	3.02	3865
HSDLB-40-24	40	24	71	3.5	7	16	2.5	3.02	5170
HSDLB-40-30	40	30	75	3.5	7	16	2.5	3.02	7155
HSDLB-40-34	40	34	77	3.5	7	16	2.5	3.02	9780
HSDLB-40-38	40	38	80	3.5	7	16	2.5	3.02	12075
HSDLB-40-42	40	42	83	3.5	7	16	2.5	3.02	15240

*1 US Ton = 2,000 lbs.

